

Group #6

CanSat Activities in UNISEC

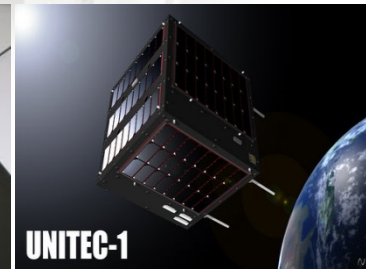
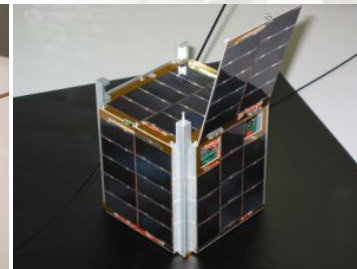
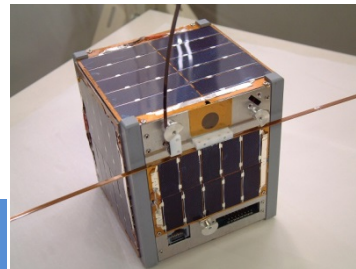
Presenter: Dr. Sultan AlSultan (Qassim University)
Moderator: Ryusuke Konishi (Keio university)

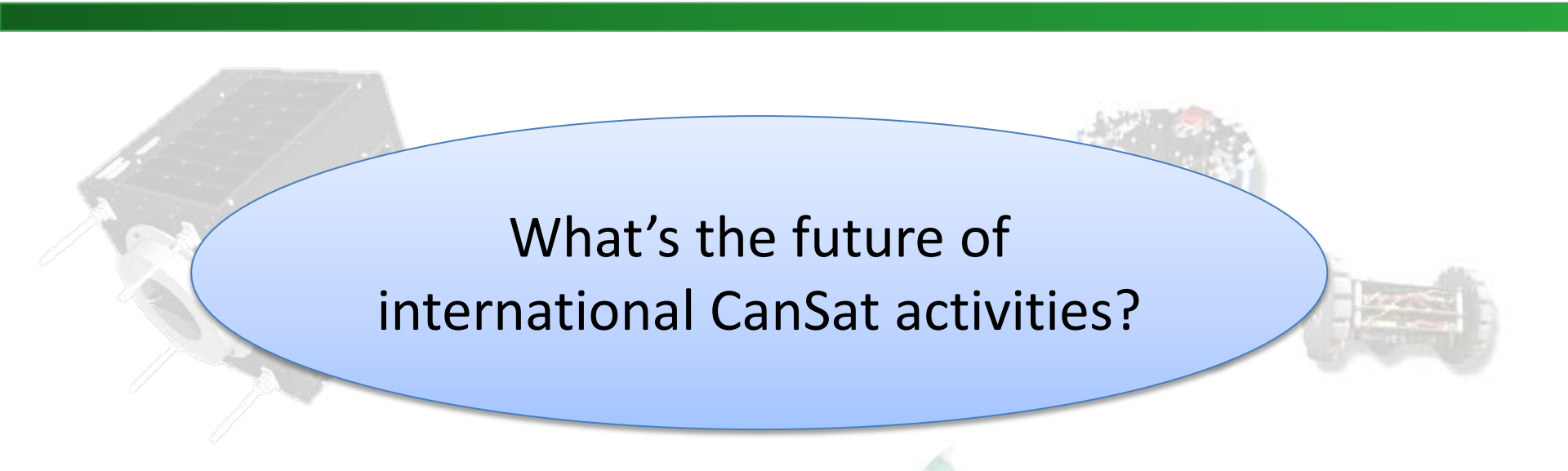


CanSat and Rocket experiment ('99~)



Cubesat Development ('03~)





What's the future of international CanSat activities?

How can every country get benefits?

Goal of the discussion

- Development of a basis of the Roadmap for International CanSat activities utilizing the framework of UNISEC-Global

Roadmap for international CanSat Activity



General Assembly from all over the world



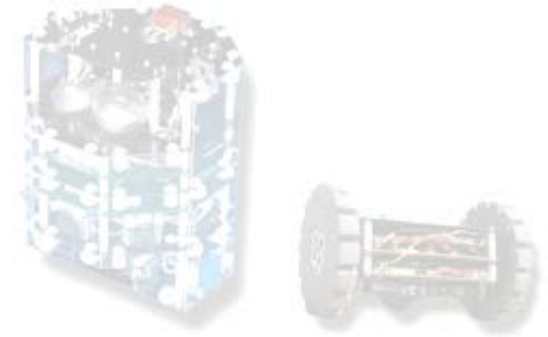
Promoting of Global Information Sharing System



Formulation of the rule for international CanSat

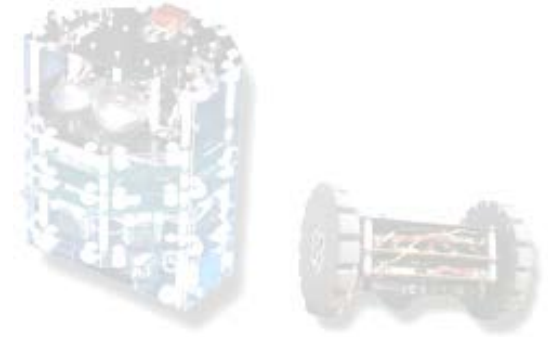
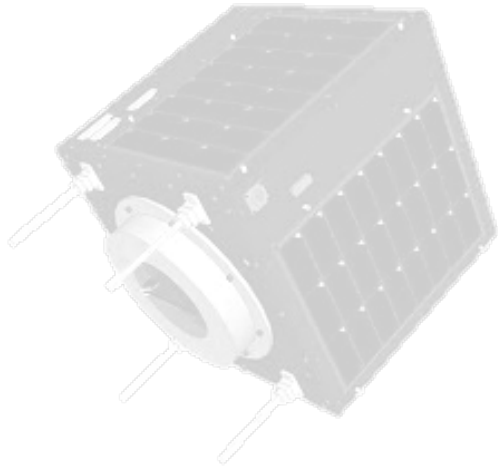
Overview of Roadmap

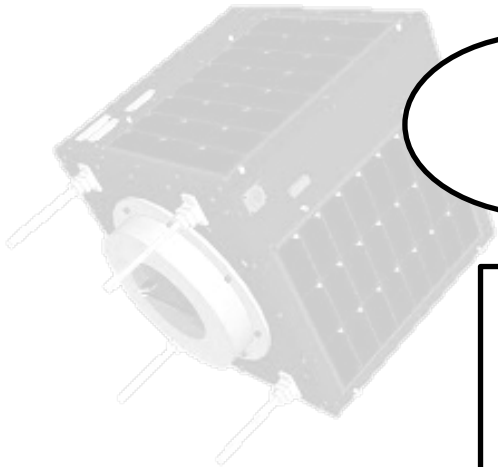
- Project1:
UNISEC-Global CanSat workshop
 - Detail is in the next slide
- Project2:
UNISEC-Regional Competition
→ UNISEC-Global Competition
 - Prepare the common rules, documents, regulations
 - Have the web page (integrating with UNISEC-Global webpage)
- Project3:
CLTP in UNISEC-Local/Region
 - In the future (in 1,2 years)
- Project4:
Enrich “CanSat information Station”
 - Add English technical reports to each CanSat Information
 - Add Textbooks and manuals to make a CanSat



To realize UNISEC-Global CanSat workshop

- When?
 - When the next UNISEC-Global meeting holds
 - Integrating with UNISEC-Global meeting
- Why?
 - To share information about CanSat (Technical)
 - To motivate students from UNISEC-Global
- How?
 - With UNISEC-Global meeting
 - UNISEC-Global will have Working Group for CanSat, and it will be the program committee
- Where? (Which country?)
 - The country where UNISEC-Global meeting holds
- Who?
 - Only UNISEC-Global members can join





Ken

Enkhjargal

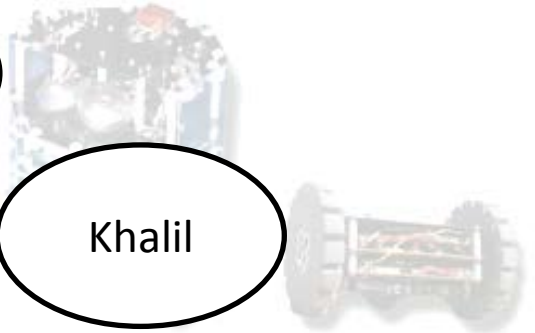
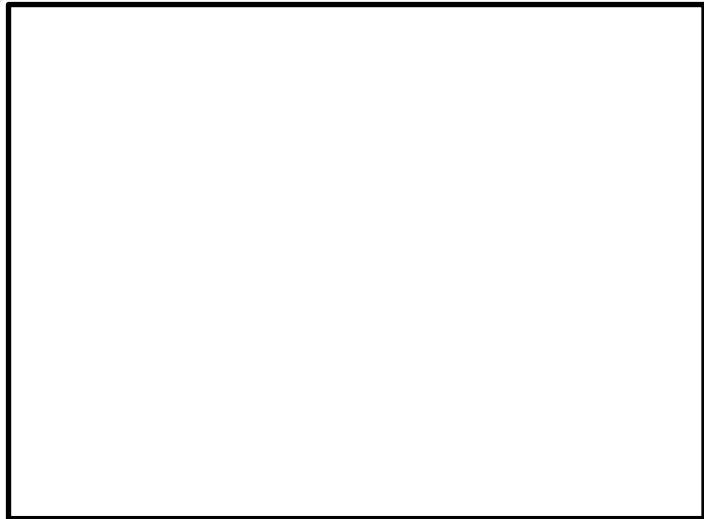
Khalil

Sultan

Tarekul

Ryusuke

Takeshi



Why do you need CanSat in your country?

- Bangladesh
 - Education, and Research in space engineering and technology using CanSat
 - Next step: Water management, disaster management using micro, nano-satellite
 - Experienced CLTP4
- Saudi
 - Mission for Water management, Infrastructure, monitoring, and desert environment by CanSat
 - Education for capacity buildings (Space education(Scholarship program))
- Egypt
 - Mission for...
 - Hands-on experience (Affordable) as education for → leads to real space education
 - Local or international competition in the future
- Mongolia
 - Experienced CLTP twice (2,3)
 - Next step is cubesat
 - Plan to launch cubesat in 2016
- Japan
 - Refer to other materials